

# Backed by Science to neutralize 99.9% of viruses from circulating air and surfaces.

In the wake of the Coronavirus, organisations and workplace, retail, hospitality and recreation providers must rethink risk mitigation and infection control protocols associated with the movement of individuals entering, transferring within and exiting indoor environments populated by staff, customers and associated persons frequenting facilities and infrastructure.

Plasma Air Purification Range provides a low-cost, easy-to-install solution that significantly minimizes the risk of airborne and surface virus transmission. For Ducted HVAC systems, the Air Plasma units can be mounted inside the existing ducting or Non Ducted HVAC facilities the modular units can be positioned throughout the facility providing a dispersive filtration capability without the need for major facility renovation, power supply capacity increases or additional ductwork.



**HORYZEN  
AIR**

**Product Range:**  
Ducted  
Wall Mounted  
Ceiling Mounted  
Mobile Units

Horyzen Air products are  
manufactured by:

**Competitor Comparison**

	HORYZEN Units	HEPA Units	UV Units
Treats Air In Room	✔	✘	✘
Treats Surfaces in Room	✔	✘	✘
Treats Return Air	✔	✔	✔

# Efficient disinfection & sterilization

Long-lasting air purification



Time	Inactivation rate
6X_P2V_Vero-E6	99.99%

Killing Virus Rate : **99.99%**

## HIGH-EFFICIENCY.ENERGY-SAVING.



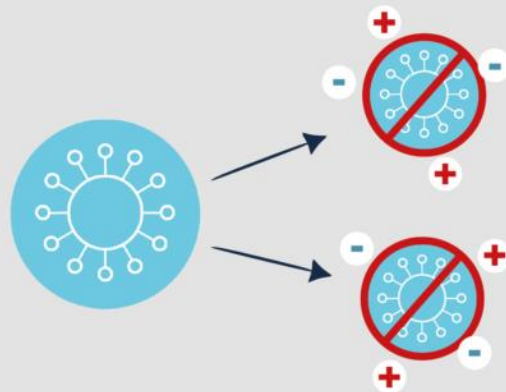
Air ionisation works through the reaction of negatively and positively charged ions.

All viruses are positively charged as they contain the positive ion - hydrogen.

Oxygen molecules are neutral. The negative ion can attach to an oxygen molecule and negatively charge it.

Bipolar ionisation systems produce positive and negative ions that collide with oxygen molecules and give them a charge.

The oxygen molecule which is now negatively charged, will immediately react with the positive hydrogen molecule in the virus.



This reaction breaks down the virus structure **destroying it**, making it **unable to affect humans** or reproduce.



# Summary and References

## Summarised benefits of the Bipolar ionisation system:

- *Removes up to 99.9% of viruses from circulating air and surfaces - BPI compromises the DNA of bacteria and viruses rendering them neutralised, thereby protecting operating space's inhabitants from illness and disease.*
- *Removes up to 99.9% of airborne and surface VOC's - Bipolar ions break down toxic gasses and compounds from dangerous chemicals such as cleaning products, pesticides, paints, solvents, mould, mildew and more*
- *Removes up to 95% of Ultra Fine Particles (UFP's).*
- *Improved effectiveness of existing HEPA filtration systems to provide a two-vector pathogen removal and neutralisation system targeting >99.9% of airborne and surface VOC's.*
- *Reduced dust and mould particles - Bipolar ions that bond with contaminants gain size and mass and drop to the floor, or return to the filter, making them easily cleaned from the air we breathe.*
- *Reduced odours - Bipolar ions break down odours at their source and eliminate them — no masking or diluting required.*
- *Improved energy conservation - Reduced energy bills on heating and cooling ventilated air.*
- *Significantly reduced maintenance - There are no filters to change or collector cells to clean. Simply replace the BPI tubes every two years.*
- *A safe, natural and environmentally friendly process - The bipolar ionisation technology uses no chemicals, heavy metals or mercury, and produces no harmful by-products.*

## References

1. Morawska et al. (2020). How can airborne transmission of COVID-19 indoors be minimised? *Environ Int.* 142: 105832. doi: 10.1016/j.envint.2020.105832
2. Daniels SL. On the Ionisation of Air for Removal of Noxious Effluvia. *IEEE transaction on Plasma Science*, 30:1471-1481, 2002.
3. Oxford JS. Efficacy of Cluster Ions on Various Pathogens Confirmed Through Collaborative Research. *Retroscreen Virology*, Ltd, London UK, PC: 2017.
4. Tierno. (2017). *Cleaning Indoor Air using Bi-Polar Ionisation Technology.* NYU School of Medicine and NYU Langone Medical Center. (Unpublished)

P  
O  
R  
T  
A  
B  
L  
E



<b>Model Name</b>	PS-300T1
<b>Filtration</b>	Ionisation H13 HEPA Filter
<b>Unit Air Circulation Range</b>	Up to 15m <sup>3</sup> /h
<b>Standard Area</b>	Up to 20m <sup>2</sup>
<b>Noise Level (dBA)</b>	≤40dB
<b>Standards &amp; Certificates</b>	ISO9001:2015 CE Certification
<b>Shell Material</b>	Aluminum Alloy
<b>Tube Material</b>	Multiple Composite with Stainless Steel outer net
<b>Dimensions</b>	70 x 200 mm
<b>Power &amp; Voltage Supply</b>	9W DC 5V USB Charger
<b>Ion Tube Life</b>	20,000 hours
<b>Warranty:</b>	12 Months

### **Product Information**

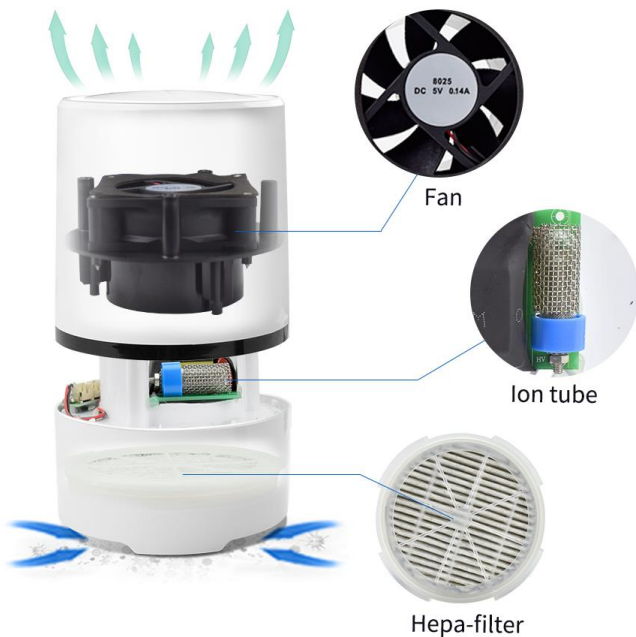
The portable PS-300T1 ionisation and H13 HEPA air purification units are suitable for use in cars, small spaces and office areas. The unit is powered by USB charger and silent operation.



<b>Model Name</b>	PS-300T2
<b>Filtration</b>	Bipolar Plasma Ionization H13 HEPA Filter
<b>Unit Air Circulation Range</b>	Up to 50m3/h
<b>Standard Area</b>	Up to 30m <sup>2</sup>
<b>Noise Level (dBA)</b>	≤40dB
<b>Standards &amp; Certificates</b>	ISO9001:2015 CE Certification
<b>Shell Material</b>	ABS
<b>Tube Material</b>	Multiple Composite with Stainless Steel outer net
<b>Dimensions</b>	120 x 194 mm
<b>Power &amp; Voltage Supply</b>	2.6W DC 5V USB Charger
<b>Ion Tube Life</b>	20,000 hours
<b>Warranty:</b>	12 Months

### Product Information

The PS-300T2 Bipolar Ionisation and H13 HEPA air purification units are suitable for use in home bedrooms, small spaces and office areas. The unit is powered by USB charger, silent operation and no consumables.



<b>Model Name</b>	PS-400T2
<b>Filtration</b>	Bipolar Plasma Ionization H13 HEPA Filter
<b>Unit Air Circulation Range</b>	Up to 500m <sup>3</sup> /h
<b>Standard Area</b>	Up to 100m <sup>2</sup>
<b>Noise Level (dBA)</b>	≤30dB
<b>Standards &amp; Certificates</b>	ISO9001:2015 CE Certification
<b>Shell Material</b>	ABS
<b>Tube Material</b>	Multiple Composite with Stainless Steel outer net
<b>Dimensions</b>	820 x 240 mm
<b>Weight</b>	3.85kg
<b>Power</b>	30W
<b>Voltage Supply</b>	AC220V±10%, 50/60±1Hz; AC110V±10%, 50/60±1Hz
<b>Ion Tube Life</b>	20,000 hours
<b>Warranty:</b>	12 Months

## Product Information

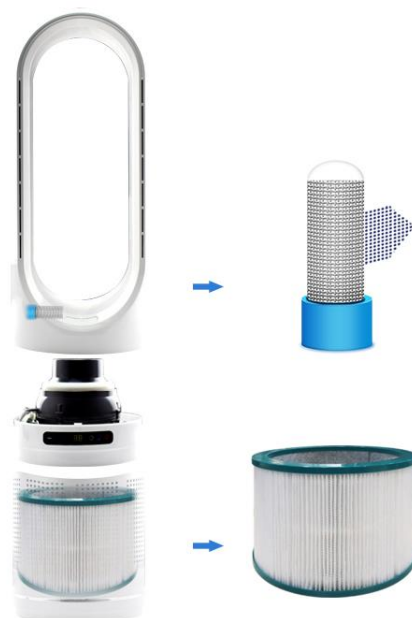
The floor air purification unit is has a built-in ionization tube technology to actively purify the air, H13 grade HEPA filter which purifies and locks 99.99% of the small particles to 0.05 micron or PM2.5. The key features are 8 speed adjustable control, silent operations and remote control.



Infrared receiver light



switch      Digital display      Wind speed-  
Shaking head      Wind speed+



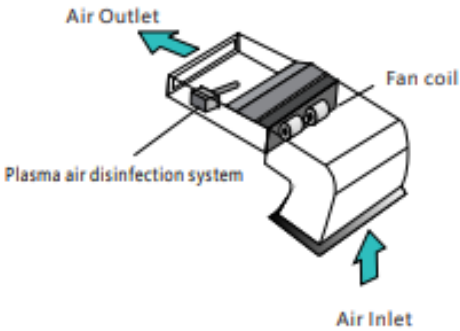
D  
U  
C  
T  
E  
D



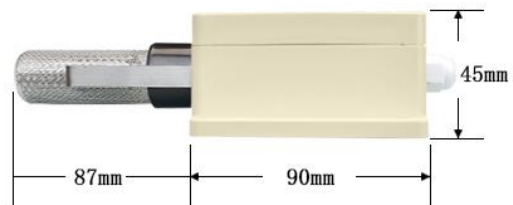
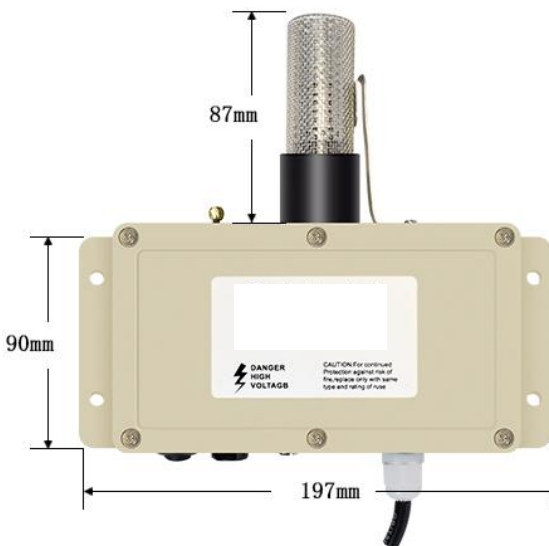


## Product Information: Ducted Units

The plasma air purification units are suitable for use in air handling systems such as fan coils, HVAC and other ventilation systems. The unit is managed by internal air pressure switch or interlocked with the HVAC fan operation and 3 level ionization density adjustment providing seamless operation and integration.



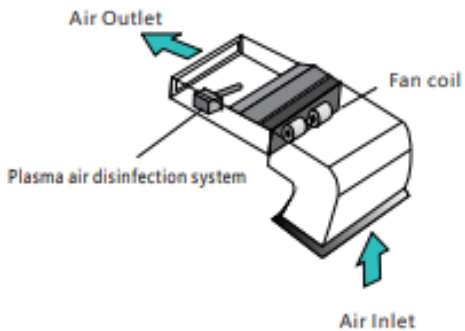
<b>Model Name</b>	PS-500
<b>Filtration</b>	Bipolar Plasma Ionization
<b>Unit Air Circulation Range</b>	1000m <sup>3</sup> /h
<b>Noise Level (dBA)</b>	≤48dB
<b>Standards &amp; Certificates</b>	ISO9001:2015 CE Certification
<b>Shell Material</b>	ABS
<b>Tube Material</b>	Multiple Composite with Stainless Steel outer net
<b>Mounting</b>	Internal Ducting
<b>Voltage Supply</b>	DC 12V/24V
<b>Ion Tube Life</b>	20,000 hours
<b>Warranty:</b>	12 Months



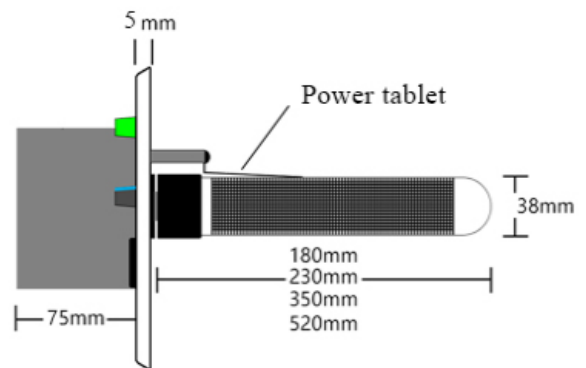
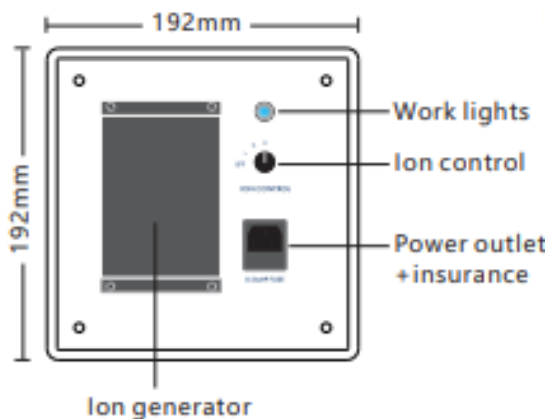
Sizing or quantity of the Air Plasma Ionizer units will be based on the total volume of the room or facility.

## Product Information: Ducted Units

The plasma air purification units are suitable for use in air handling systems such as fan coils, HVAC and other ventilation systems. The unit can be managed by an air pressure switch or interlocked with the HVAC fan operation and 3 level ionization density adjustment providing seamless operation and integration.



<b>Model Name</b>	PS-501T
<b>Filtration</b>	Bipolar Plasma Ionization
<b>Unit Air Circulation Range</b>	5100m <sup>3</sup> /h
<b>Noise Level (dBA)</b>	≤48dB
<b>Standards &amp; Certificates</b>	ISO9001:2015 CE Certification
<b>Shell Material</b>	Sheet Metal
<b>Tube Material</b>	Multiple Composite with Stainless Steel outer net
<b>Mounting</b>	Internal Ducting
<b>Voltage Supply</b>	AC220V±10%, 50/60±1Hz; AC110V±10%, 50/60±1Hz
<b>Ion Tube Life</b>	20,000 hours
<b>Warranty:</b>	12 Months

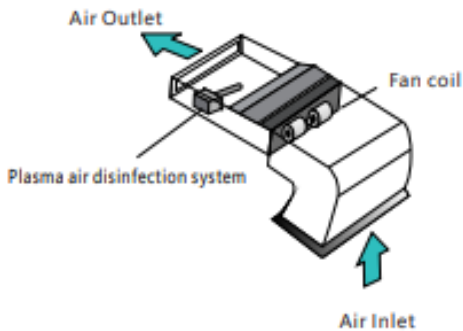


- Ion tube length can be customized according to requirements

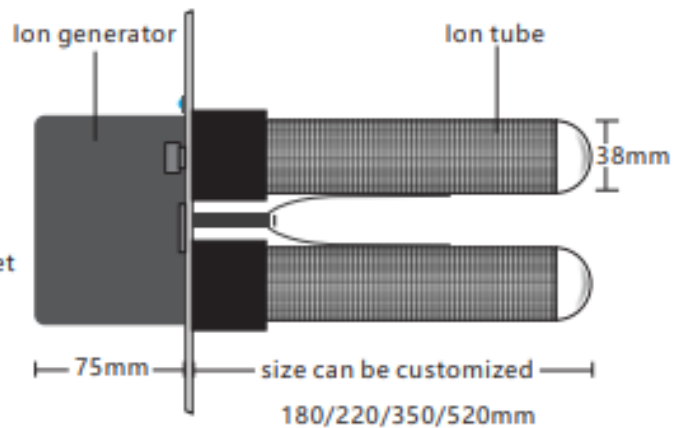
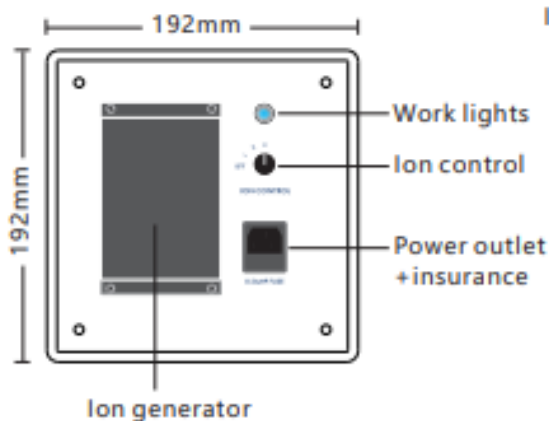
Sizing or quantity of the Air Plasma Ionizer units will be based on the total volume of the room or facility.

## Product Information: Ducted Units

The plasma air purification units are suitable for use in air handling systems such as fan coils, HVAC and other ventilation systems. The unit can be managed by an air pressure switch or interlocked with the HVAC fan operation and 3 level ionization density adjustment providing seamless operation and integration.



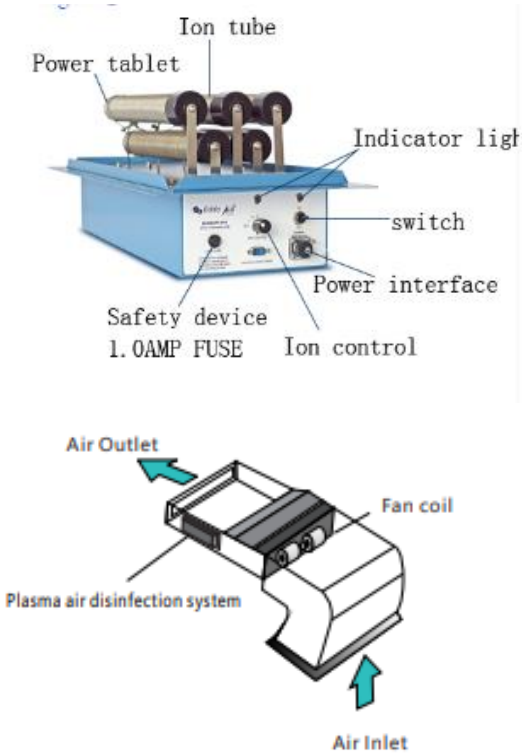
<b>Model Name</b>	PS-502T
<b>Filtration</b>	Bipolar Plasma Ionization
<b>Unit Air Circulation Range</b>	8500m <sup>3</sup> /h
<b>Volume Range</b>	Up to 200m <sup>2</sup>
<b>Noise Level (dBA)</b>	≤48dB
<b>Standards &amp; Certificates</b>	ISO9001:2015 CE Certification
<b>Shell Material</b>	Sheet Metal
<b>Tube Material</b>	Multiple Composite with Stainless Steel outer net
<b>Mounting</b>	Internal Ducting
<b>Voltage Supply</b>	AC220V±10%, 50/60±1Hz; AC110V±10%, 50/60±1Hz
<b>Ion Tube Life</b>	20,000 hours
<b>Warranty:</b>	12 Months



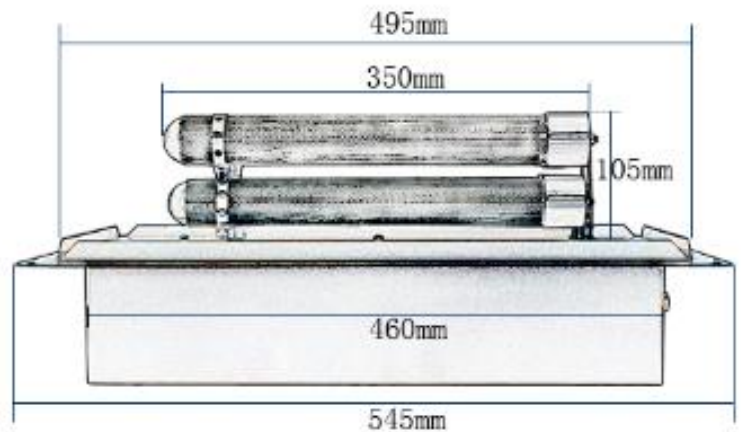
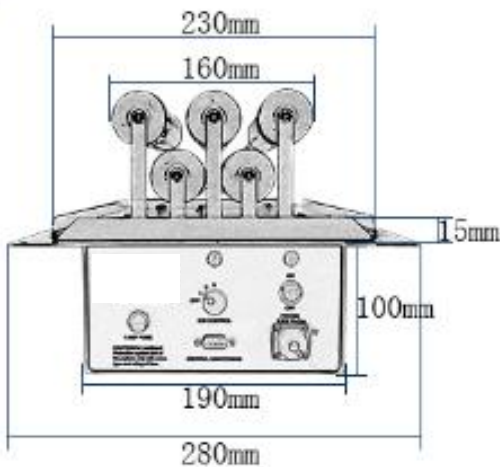
Sizing or quantity of the Air Plasma Ionizer units will be based on the total volume of the room or facility.

## Product Information: Ducted Units

The plasma air purification units are suitable for use in air handling systems such as fan coils, HVAC and other ventilation systems. The unit can be managed by an air pressure switch or interlocked with the HVAC fan operation and 3 level ionization density adjustment providing seamless operation and integration.



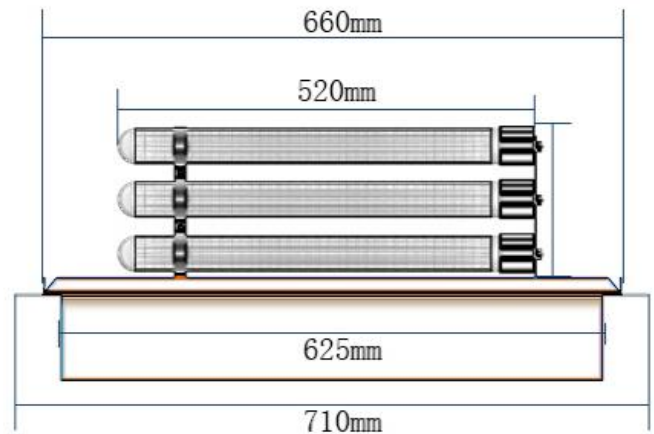
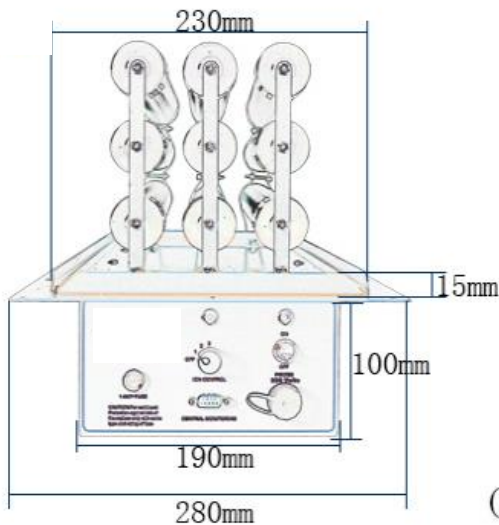
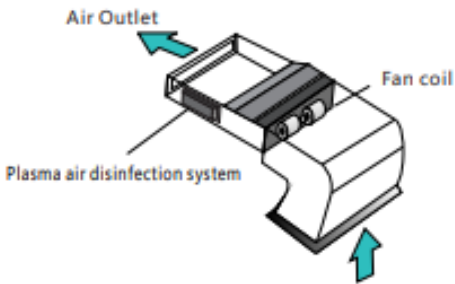
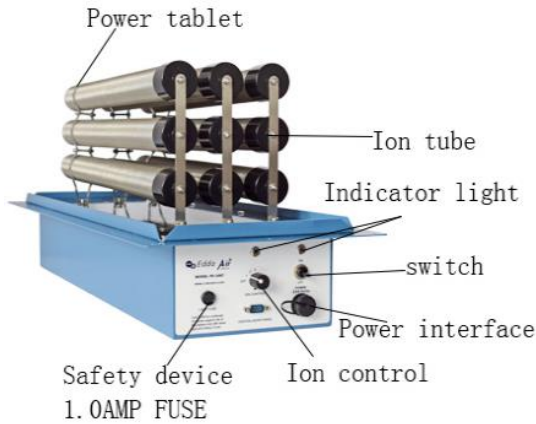
<b>Model Name</b>	PS-505T
<b>Filtration</b>	Bipolar Plasma ionization
<b>Unit Air Circulation Range</b>	13500m <sup>3</sup> /h
<b>Noise Level (dBA)</b>	≤50dB
<b>Standards &amp; Certificates</b>	ISO9001:2015 CE Certification
<b>Shell Material</b>	Sheet Metal
<b>Tube Material</b>	Multiple Composite with Stainless Steel outer net
<b>Mounting</b>	Internal Ducting
<b>Voltage Supply</b>	AC220V±10%, 50/60±1Hz; AC110V±10%, 50/60±1Hz
<b>Ion Tube Life</b>	20,000 hours
<b>Warranty:</b>	12 Months



Sizing or quantity of the Air Plasma Ionizer units will be based on the total volume of the room or facility.

## Product Information: Ducted Units

The plasma air purification units are suitable for use in air handling systems such as fan coils, HVAC and other ventilation systems. The unit can be managed by an air pressure switch or interlocked with the HVAC fan operation and 3 level ionization density adjustment providing seamless operation and integration.



(Ion tube length can be customized according to requirements)

<b>Model Name</b>	PS-509TT
<b>Filtration</b>	Bipolar Plasma ionization
<b>Unit Air Circulation Range</b>	28800m <sup>3</sup> /h
<b>Noise Level (dBA)</b>	≤50dB
<b>Standards &amp; Certificates</b>	ISO9001:2015 CE Certification
<b>Shell Material</b>	Sheet Metal
<b>Tube Material</b>	Multiple Composite with Stainless Steel outer net
<b>Mounting</b>	Internal Ducting
<b>Voltage Supply</b>	AC220V±10%, 50/60±1Hz; AC110V±10%, 50/60±1Hz
<b>Ion Tube Life</b>	20,000 hours
<b>Warranty:</b>	12 Months

Sizing or quantity of the Air Plasma Ionizer units will be based on the total volume of the room or facility.

**N  
O  
N  
D  
U  
C  
T  
E  
D**



<b>Model Name</b>	Wall Mount 60
<b>Model Code</b>	PSW-500T1
<b>Filtration</b>	Bipolar Plasma Ionization
<b>Unit Air Circulation Range</b>	60m <sup>3</sup> /h
<b>Standard Area Range</b>	10 – 20m <sup>2</sup>
<b>Noise Level (dBA)</b>	≤50dB
<b>Standards &amp; Certificates</b>	ISO9001:2015 CE Certification
<b>Shell Material</b>	Aluminum Alloy
<b>Tube Material</b>	Multiple Composite with Stainless Steel outer net
<b>Mounting</b>	Wall
<b>Dimensions (L x W x H) mm</b>	175 x 260 x 60
<b>Weight</b>	1kg
<b>Lockable</b>	Yes
<b>Power</b>	10W
<b>Voltage Supply</b>	DC 12V
<b>Ion Tube Life</b>	20,000 hours
<b>Warranty:</b>	12 Months

## Product Information

The wall mounted independent standalone plasma air purification units are suitable for use in small volumes and when there is no ducted air movement system. The units provide bipolar ionization technology, overload safety protection design and dual protection of power supply.



^Variation in quantity of units if current air-condition unit is incorrectly sized



- ① air intake
- ② Outlet
- ③ power plug
- ④ Fuse
- ⑤ Power switch
- ⑥ Work indicator
- ⑦ Primary filter screen

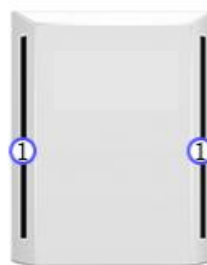


Sizing or quantity of the Air Plasma Ionizer units will be based on the total volume of the room or facility.

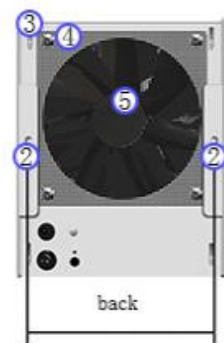
<b>Model Name</b>	Wall Mount 128
<b>Model Code</b>	PSW-501TX
<b>Filtration</b>	Bipolar Plasma Ionization
<b>Unit Air Circulation Range</b>	128m <sup>3</sup> /h
<b>Standard Area Range</b>	20 – 50m <sup>2</sup>
<b>Noise Level (dBA)</b>	≤40dB
<b>Standards &amp; Certificates</b>	ISO9001:2015 CE Certification
<b>Shell Material</b>	Sheet Metal
<b>Tube Material</b>	Multiple Composite with Stainless Steel outer net
<b>Mounting</b>	Wall
<b>Dimensions (L x W x H) mm</b>	180 x 240 x 100
<b>Weight</b>	1.4kg
<b>Lockable</b>	Yes
<b>Power</b>	12W
<b>Voltage Supply</b>	DC12V
<b>Ion Tube Life</b>	20,000 hours
<b>Warranty:</b>	12 Months

## Product Information

The wall mounted independent standalone plasma air purification units are suitable for use in small volumes and when there is no ducted air movement system. The units provide bipolar ionization technology with 3 levels of intensity, overload safety protection design and dual protection of power supply.



positive



back

Installation opening distance 150mm

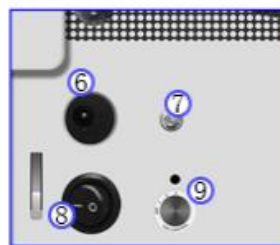


240mm

180mm



100mm



- ① Air outlet
- ② Wall mounting holes
- ③ Fixed card
- ④ Deduction initial filter
- ⑤ Air inlet / fan
- ⑥ DC12V power connector
- ⑦ Work indicator
- ⑧ switch
- ⑨ Ion switch / stepless shift

Sizing or quantity of the Air Plasma Ionizer units will be based on the total volume of the room or facility.

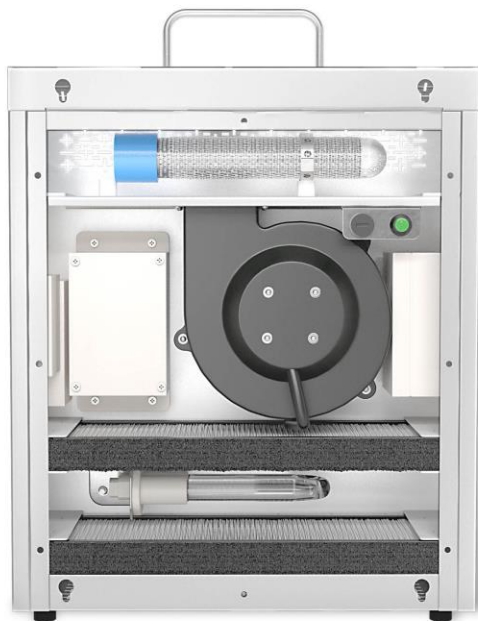


<b>Model Name</b>	Wall Mount 138
<b>Model Code</b>	PSW-501TV
<b>Filtration</b>	Bipolar Plasma Ionization HEPA 13 Filters Ultraviolet -C
<b>Unit Air Circulation Range</b>	138 <sup>3</sup> /h
<b>Standard Area Range</b>	30 – 60m <sup>2</sup>
<b>Noise Level (dBA)</b>	≤50dB
<b>Standards &amp; Certificates</b>	ISO9001:2015 CE Certification
<b>Shell Material</b>	Aluminum Alloy
<b>Tube Material</b>	Multiple Composite with Stainless Steel outer net
<b>Mounting</b>	Wall or Floor
<b>Dimensions (L x W x H) mm</b>	360 x 300 x 104
<b>Weight</b>	3kg
<b>Lockable</b>	Yes
<b>Power</b>	50W
<b>Voltage Supply</b>	DC24V
<b>Ion Tube Life</b>	20,000 hours
<b>Warranty:</b>	12 Months

^Variation in quantity of units if current air-condition unit is incorrectly sized

## Product Information

The wall or floor mounted independent standalone plasma air purification units are suitable for use in small volumes and when there is no ducted air movement system. The units provide bipolar ionization, HEPA filtration, ultraviolet technology with 3 levels of intensity, overload safety protection design and dual protection of power

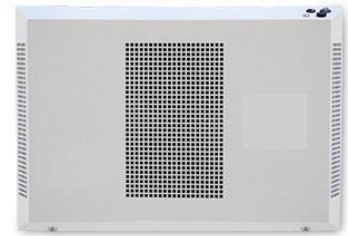


Sizing or quantity of the Air Plasma Ionizer units will be based on the total volume of the room or facility.

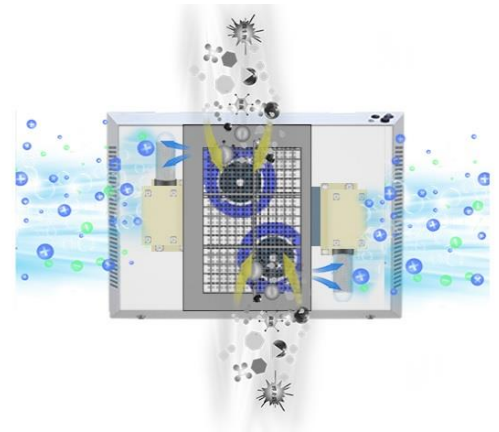
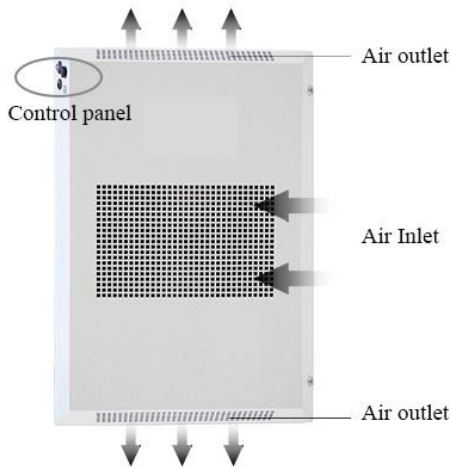
<b>Model Name</b>	Wall Mount 220
<b>Model Code</b>	PSW-500T2
<b>Filtration</b>	Bipolar Plasma Ionization
<b>Unit Air Circulation Range</b>	220m <sup>3</sup> /h
<b>Standard Area Range</b>	40 – 80m <sup>2</sup>
<b>Noise Level (dBA)</b>	≤50dB
<b>Standards &amp; Certificates</b>	ISO9001:2015 CE Certification
<b>Shell Material</b>	Sheet Metal
<b>Tube Material</b>	Multiple Composite with Stainless Steel outer net
<b>Mounting</b>	Wall or Ceiling
<b>Dimensions (L x W x H) mm</b>	500 x 340 x 60
<b>Weight</b>	3kg
<b>Lockable</b>	Yes
<b>Power</b>	23W
<b>Voltage Supply</b>	DC 24V
<b>Ion Tube Life</b>	20,000 hours
<b>Warranty:</b>	12 Months

## Product Information

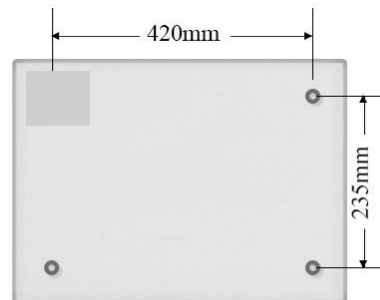
The wall or ceiling mounted independent standalone plasma air purification units are suitable for use in small volumes and when there is no ducted air movement system. The units provide bipolar ionization technology, overload safety protection design and dual protection of power supply.



^Variation in quantity of units if current air-condition unit is incorrectly sized



Positive



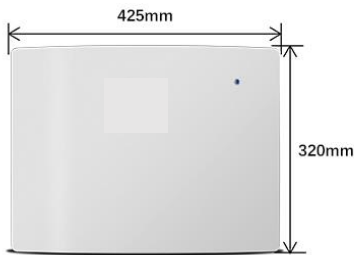
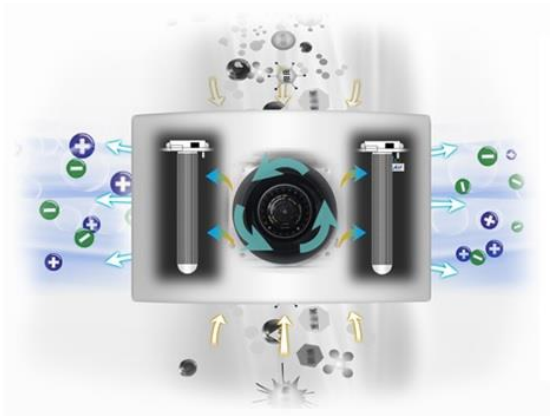
Back hole size

<b>Model Name</b>	Wall Mount 460
<b>Model Code</b>	PSW-500TR
<b>Filtration</b>	Bipolar Plasma Ionization
<b>Unit Air Circulation Range</b>	460m <sup>3</sup> /h
<b>Standard Area Range</b>	50 – 100m <sup>2</sup>
<b>Noise Level (dBA)</b>	≤50dB
<b>Standards &amp; Certificates</b>	ISO9001:2015 CE Certification
<b>Shell Material</b>	Sheet Metal
<b>Tube Material</b>	Multiple Composite with Stainless Steel outer net
<b>Mounting</b>	Wall
<b>Dimensions (L x W x H) mm</b>	420 x 320 x 125
<b>Weight</b>	8.7kg
<b>Lockable</b>	Yes
<b>Power</b>	66W
<b>Voltage Supply</b>	AC220V±10%, 50/60±1Hz; AC110V±10%, 50/60±1Hz
<b>Ion Tube Life</b>	20,000 hours
<b>Warranty:</b>	12 Months

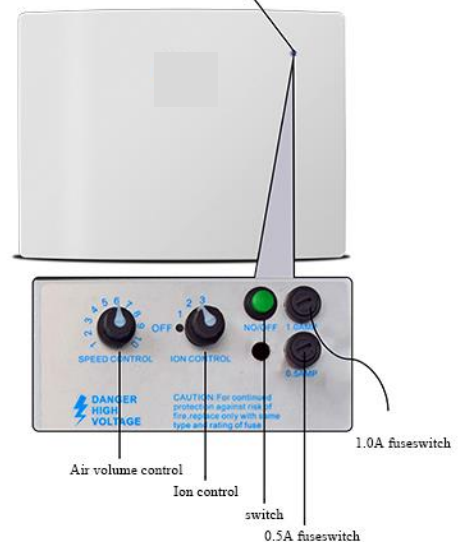
## Product Information

The wall mounted independent standalone plasma air purification units are suitable for use when there is no ducted air movement system. The units provide bipolar ionization technology, overload safety protection design and dual protection of power supply fuse switches. The Wall Unit has 10 step speed fan speed controller and 3 ionizer intensity level controller providing continuous disinfection control.

^Variation in quantity of units if current air-condition unit is incorrectly sized



Indicator light



Sizing or quantity of the Air Plasma Ionizer units will be based on the total volume of the room or facility.

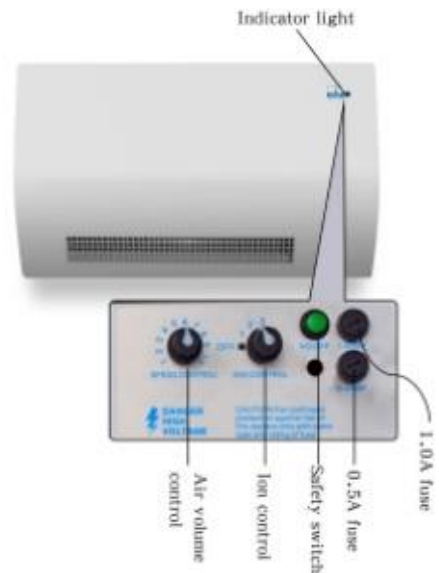
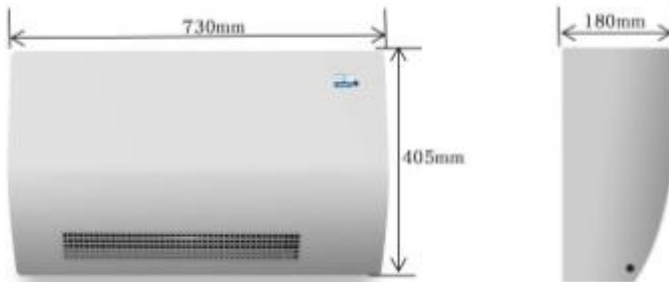
<b>Model Name</b>	Wall Mount 850
<b>Model Code</b>	PSW-500TY
<b>Filtration</b>	Bipolar Plasma Ionization HEPA 13 Filter
<b>Unit Air Circulation Range</b>	850m <sup>3</sup> /h
<b>Standard Area Range</b>	50 – 150m <sup>2</sup>
<b>Noise Level (dBA)</b>	≤50dB
<b>Standards &amp; Certificates</b>	ISO9001:2015 CE Certification
<b>Shell Material</b>	Sheet Metal
<b>Tube Material</b>	Multiple Composite with Stainless Steel outer net
<b>Mounting</b>	Wall
<b>Dimensions (L x W x H) mm</b>	730 x 430 x 180
<b>Weight</b>	15.5kg
<b>Lockable</b>	Yes
<b>Power</b>	70W
<b>Voltage Supply</b>	AC220V±10%, 50/60±1Hz; AC110V±10%, 50/60±1Hz
<b>Ion Tube Life</b>	20,000 hours
<b>Warranty:</b>	12 Months

## Product Information

The wall mounted independent standalone plasma air purification units are suitable for use when there is no ducted air movement system. The units provide bipolar ionization technology, HEPA filtration, overload safety protection design and dual protection of power supply fuse switches. The Wall Unit has 10 step speed fan speed controller and 3 ionizer intensity level controller providing continuous disinfection control.



^Variation in quantity of units if current air-condition unit is incorrectly sized

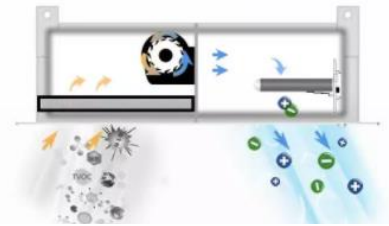


Sizing or quantity of the Air Plasma Ionizer units will be based on the total volume of the room or facility.

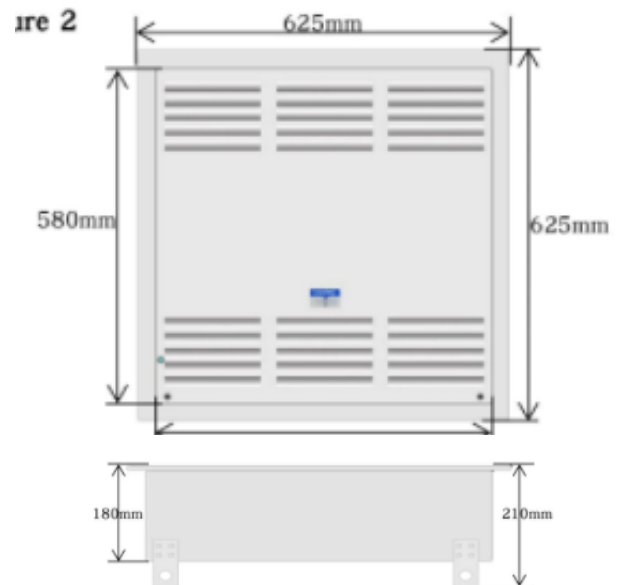
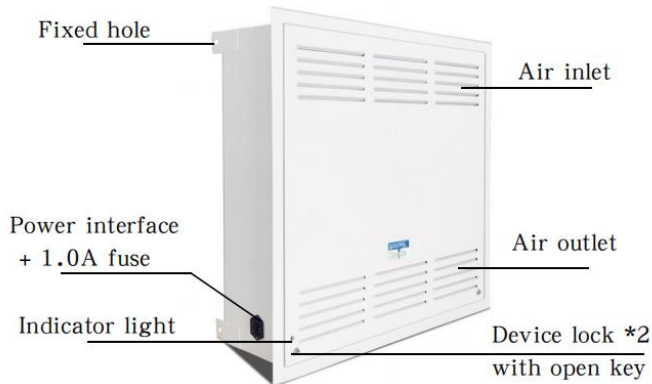
<b>Model Name</b>	Ceiling Mount 460
<b>Model Code</b>	PSC-501T1
<b>Filtration</b>	Bipolar Plasma Ionization HEPA 13 Filter
<b>Unit Air Circulation Range</b>	460m <sup>3</sup> /h
<b>Standard Area Range</b>	50 – 100m <sup>2</sup>
<b>Noise Level (dBA)</b>	≤50dB
<b>Standards &amp; Certificates</b>	ISO9001:2015 CE Certification
<b>Shell Material</b>	Sheet Metal
<b>Tube Material</b>	Multiple Composite with Stainless Steel outer net
<b>Mounting</b>	Ceiling
<b>Dimensions (L x W x H) mm</b>	625 x 625 x 180
<b>Weight</b>	16.5kg
<b>Lockable</b>	Yes
<b>Power</b>	60W
<b>Voltage Supply</b>	AC220V±10%, 50/60±1Hz; AC110V±10%, 50/60±1Hz
<b>Ion Tube Life</b>	20,000 hours
<b>Warranty:</b>	12 Months

## Product Information

The ceiling mounted independent standalone plasma air purification units are suitable for use when there is no ducted air movement system. The units provide bipolar ionization technology, high efficient HEPA air purification with overload safety protection design and dual protection of power supply fuse switches. The ceiling unit has 4 step speed fan speed controller to providing continuous disinfection control.



^Variation in quantity of units if current air-condition unit is incorrectly sized



Sizing or quantity of the Air Plasma Ionizer units will be based on the total volume of the room or facility.

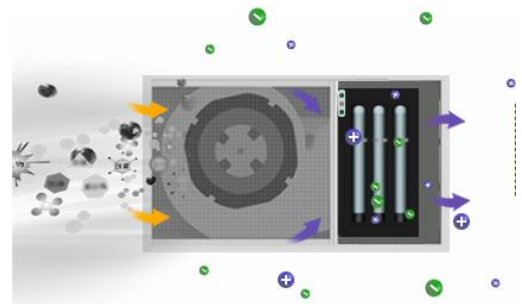
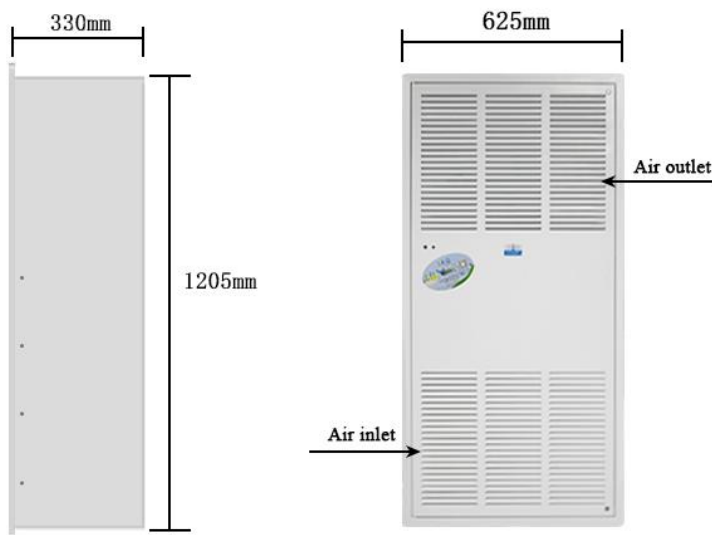
<b>Model Name</b>	Ceiling Mount 1800
<b>Model Code</b>	PSC-501T5
<b>Filtration</b>	Bipolar Plasma Ionization HEPA 13 Filter
<b>Unit Air Circulation Range</b>	1800m <sup>3</sup> /h
<b>Standard Area Range</b>	200 – 300m <sup>2</sup>
<b>Noise Level (dBA)</b>	≤50dB
<b>Standards &amp; Certificates</b>	ISO9001:2015 CE Certification
<b>Shell Material</b>	Aluminum
<b>Tube Material</b>	Multiple Composite with Stainless Steel outer net
<b>Mounting</b>	Ceiling
<b>Dimensions (L x W x H) mm</b>	625 x 1205 x 330
<b>Weight</b>	38kg
<b>Lockable</b>	Yes
<b>Power</b>	180W
<b>Voltage Supply</b>	AC220V±10%, 50/60±1Hz; AC110V±10%, 50/60±1Hz
<b>Ion Tube Life</b>	20,000 hours
<b>Warranty:</b>	12 Months

## Product Information

The ceiling mounted independent standalone plasma air purification units are suitable for use when there is no ducted air movement system. The units provide bipolar ionization technology, high efficient HEPA air purification with overload safety protection design and dual protection of power supply fuse switches. The ceiling unit has 4 step speed fan speed controller to providing continuous disinfection control.



^Variation in quantity of units if current air-condition unit is incorrectly sized



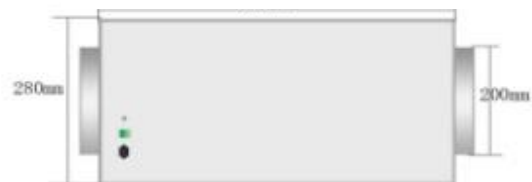
Sizing or quantity of the Air Plasma Ionizer units will be based on the total volume of the room or facility.

<b>Model Name</b>	PSR-501T3
<b>Filtration</b>	Bipolar Plasma Ionization HEPA 13 Filter
<b>Unit Air Circulation Range</b>	1000m <sup>3</sup> /h
<b>Standard Area Range</b>	80 – 150m <sup>2</sup>
<b>Noise Level (dBA)</b>	≤50dB
<b>Standards &amp; Certificates</b>	ISO9001:2015 CE Certification
<b>Shell Material</b>	Sheet Metal
<b>Tube Material</b>	Multiple Composite with Stainless Steel outer net
<b>Mounting</b>	Roof Cavity
<b>Dimensions (L x W x H) mm</b>	680 x 450 x 280
<b>Weight</b>	21.5kg
<b>Lockable</b>	Yes
<b>Power</b>	175W
<b>Voltage Supply</b>	AC220V±10%, 50/60±1Hz; AC110V±10%, 50/60±1Hz
<b>Ion Tube Life</b>	20,000 hours
<b>Warranty:</b>	12 Months

^Variation in quantity of units if current air-condition unit is incorrectly sized

## Product Information

The fresh air roof cavity mounted independent standalone plasma air purification units are suitable for use when there is no ducted air movement system. The units provide bipolar ionization technology, high efficient HEPA air purification with overload safety protection design and dual protection of power supply fuse switches. The unit has 10 step speed fan speed controller and 3 ionizer intensity level controller providing continuous disinfection control through time control switch which allows a seamless operation.



Sizing or quantity of the Air Plasma Ionizer units will be based on the total volume of the room or facility.

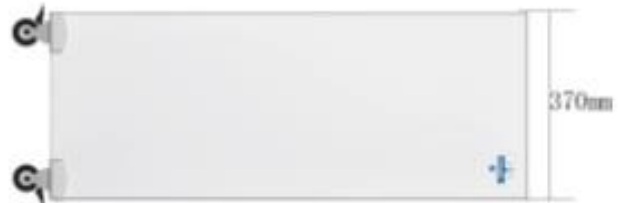
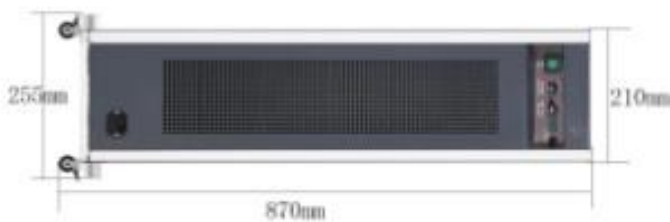
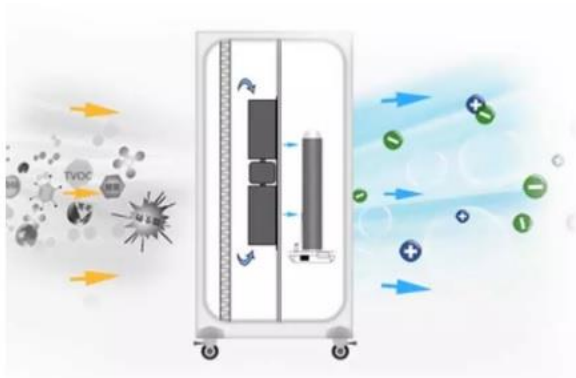
<b>Model Name</b>	Mobile Unit 850
<b>Model Code</b>	PSM-501T2
<b>Filtration</b>	Bipolar Plasma Ionization HEPA 13 Filter
<b>Unit Air Circulation Range</b>	850m <sup>3</sup> /h
<b>Standard Area Range</b>	50 – 130m <sup>2</sup>
<b>Noise Level (dBA)</b>	≤50dB
<b>Standards &amp; Certificates</b>	ISO9001:2015 CE Certification
<b>Shell Material</b>	Sheet Metal
<b>Tube Material</b>	Multiple Composite with Stainless Steel outer net
<b>Mounting</b>	Floor on wheels
<b>Dimensions (L x W x H) mm</b>	370 x 210 x 865
<b>Weight</b>	22.35kg
<b>Lockable</b>	Yes
<b>Power</b>	60W
<b>Voltage Supply</b>	AC220V±10%, 50/60±1Hz; AC110V±10%, 50/60±1Hz
<b>Ion Tube Life</b>	20,000 hours
<b>Warranty:</b>	12 Months

## Production Information

The independent standalone plasma air purification units are suitable for use when there is no ducted air movement system. The units provide bipolar ionization technology, high efficient HEPA air purification with overload safety protection design and dual protection of power supply fuse switches. The Mobile Unit has 10 step speed fan speed controller and 3 ionizer intensity level controller providing continuous disinfection control.



^Variation in quantity of units if current air-condition unit is incorrectly sized



Sizing or quantity of the Air Plasma Ionizer units will be based on the total volume of the room or facility.

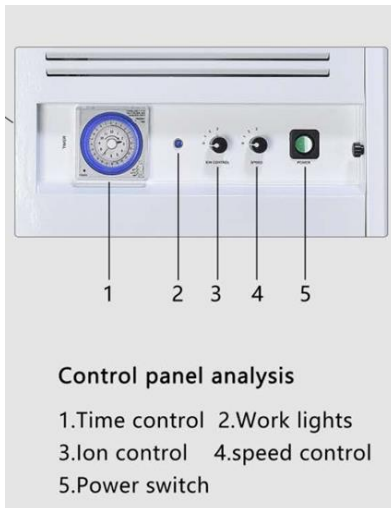


<b>Model Name</b>	Mobile Unit 1800
<b>Model Code</b>	PSM-501T6
<b>Filtration</b>	Bipolar Plasma Ionization HEPA 13 Filter
<b>Unit Air Circulation Range</b>	1800m <sup>3</sup> /h
<b>Standard Area Range</b>	200 – 300m <sup>2</sup>
<b>Noise Level (dBA)</b>	≤50dB
<b>Standards &amp; Certificates</b>	ISO9001:2015 CE Certification
<b>Shell Material</b>	Sheet Metal
<b>Tube Material</b>	Multiple Composite with Stainless Steel outer net
<b>Mounting</b>	Floor on wheels
<b>Dimensions (L x W x H) mm</b>	630 x 383 x 1760
<b>Weight</b>	60kg
<b>Lockable</b>	Yes
<b>Power</b>	200W
<b>Voltage Supply</b>	AC220V±10%, 50/60±1Hz; AC110V±10%, 50/60±1Hz
<b>Ion Tube Life</b>	20,000 hours
<b>Warranty:</b>	12 Months

## Production Information

The independent standalone plasma air purification units are suitable for use when there is no ducted air movement system. The units provide bipolar ionization technology, high efficient HEPA air purification with overload safety protection design and dual protection of power supply fuse switches. The Mobile Unit has 10 step speed fan speed controller and 3 ionizer intensity level controller providing continuous disinfection control.

^Variation in quantity of units if current air-condition unit is incorrectly sized



Sizing or quantity of the Air Plasma Ionizer units will be based on the total volume of the room or facility.

<b>Model Name</b>	Transfer Disinfection Portal
<b>Model Code</b>	TDP-501TC
<b>Filtration</b>	Bipolar Plasma Ionization HEPA 13 Filter Ultraviolet -C
<b>Unit Air Circulation Range</b>	2x200m <sup>3</sup> /hr
<b>Isolation Time</b>	<10sec
<b>Noise Level (dBA)</b>	≤50dB
<b>Standards &amp; Certificates</b>	ISO9001:2015 CE Certification
<b>Shell Material</b>	Stainless Steel – White
<b>Tube Material</b>	Multiple Composite with Stainless Steel outer net
<b>Mounting</b>	Floor
<b>Weight</b>	190kg
<b>Power</b>	180W
<b>Voltage Supply</b>	AC220V±10%, 50/60±1Hz; AC110V±10%, 50/60±1Hz
<b>Ion Tube Life</b>	20,000 hours
<b>Warranty:</b>	12 Months



## Product Information

The transfer disinfection portal provides bipolar ionization technology, highly efficient HEPA 13 air purification, ultraviolet lamps, with overload safety protection design and dual protection of power supply fuse switches. The Portal has multi step speed fan speed controller and 3 ionizer intensity level controller providing continuous disinfection control. The portal has the option for intelligent face identification access control temperature measuring feature.





For More Information Contact:

Name: Greg Doherty

Email: [gregd@hqh.com](mailto:gregd@hqh.com)



Delivering healthy air solutions by:

**HORYZEN  
AIR**

Product Certifications:

